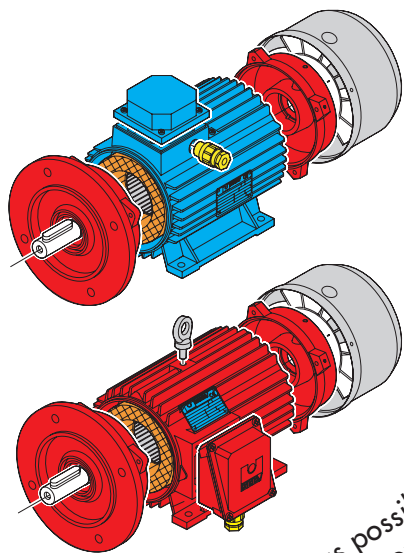


# THE MAGIC POWER ENGINE SOLUTIONS



Only two examples of the various possibilities  
to be realized with the new ISGEV components  
"The Magic Solutions".



ISGEV s.p.a.  
36071 ARZIGNANO (VI) ITALY  
Viale Vicenza, 62/bis,  
Tel. ++39 0444 451928 r.a.,  
Fax ++39 0444 673402,  
info@isgev.com,  
www.isgev.com



# THE MAGIC POWER ENGINE SOLUTIONS

**COMPOSE  
YOUR  
MOTOR AS  
YOU LIKE.**



# COMPOSE YOUR MOTOR AS YOU LIKE. SIZES 63-71-80-90-100-112-132-160-180

## STANDARD MOTOR "1B" (AL+AL+AL)

- Cover drive end and non drive end in ALUMINIUM with sintered insert from size 90
- Housing B3 or B5 in ALUMINIUM (eyebolt from size 112)
- Complete terminal box in ALUMINIUM, motor plate in ALUMINIUM
- Bolts, fan cover, screws and components in GALVANIZED STEEL
- Gaskets and seal rings in NBR, cable gland and fan in POLYAMIDE
- Terminal board in SIRFEN and components in BRASS

## OPTION MOTOR "2B" (G+AL+AL)

- Cover drive end in CAST IRON, cover non drive end in ALUMINIUM with sintered insert from size 90
- Housing B3 or B5 in ALUMINIUM (eyebolt from size 112)
- Complete terminal box in ALUMINIUM, motor plate in ALUMINIUM
- Bolts, fan cover, screws and components in GALVANIZED STEEL
- Gaskets and seal rings in NBR, cable gland and in POLYAMIDE
- Terminal board in SIRFEN and components in BRASS

### TYPE OF MATERIALS:

- CAST IRON
- ALUMINIUM
- STEEL
- PLASTICS
- BRASS
- COPPER

## OPTION MOTOR "3B" (AL+AL+G)

- Cover drive end in ALUMINIUM with sintered insert from size 90, cover non drive end in CAST IRON
- Housing B3 or B5 in ALUMINIUM (eyebolt from size 112)
- Complete terminal box in ALUMINIUM, motor plate in ALUMINIUM
- Bolts, fan cover, screws and components in GALVANIZED STEEL
- Gaskets and seal rings in NBR, cable gland and fan in POLYAMIDE
- Terminal board in SIRFEN and components in BRASS

## OPTION MOTOR "4B" (G+AL+G)

- Cover drive end and non drive end in CAST IRON
- Housing B3 or B5 in ALUMINIUM (eyebolt from size 112)
- Complete terminal box in ALUMINIUM, motor plate in ALUMINIUM
- Bolts, fan cover, screws and components in GALVANIZED STEEL
- Gaskets and seal rings in NBR, cable gland and fan in POLYAMIDE
- Terminal board in SIRFEN and components in BRASS

## OPTION MOTOR "5B" (G+G+G)

- Cover drive end and non drive end in CAST IRON
- Housing B3 or B5 in CAST IRON (eyebolt from size 112)
- Complete terminal box in ALUMINIUM, motor plate in ALUMINIUM
- Bolts, fan cover, screws and components in GALVANIZED STEEL
- Gaskets and seal rings in NBR, cable gland and fan in POLYAMIDE
- Terminal board in SIRFEN and components in BRASS

### ON REQUEST:

- Terminal box in CAST IRON
- Shields fixed by screws (from size 90 on)
- Fan in ALUMINIUM
- Condensate drainage hole
- Grease nipples
- Axial shaft fixing by SEEGER ring

- Screws, bolts and components in STAINLESS STEEL
- Shaft protection shield in STEEL
- MIM-ring and V-ring in VITON or SILICONE
- WHITE RUBBER or SILICONE gaskets for the food INDUSTRY
- Cable gland in nickel-plated BRASS

The manufacturer reserves the right to modify the illustrated components without notice